

# LOCKABLE DRAWER



ACDRAWER2U-W

Version: 03/20



Color: Grey

Hight unites: 2U

Load capacity: 25kg

Lockable and extractable

## DESCRIPTION

The 19" lockable rackmount Drawer allows you lock away small equipment into your server rack.

## FEATURES

- Color: Grey
- Hight unites: 2U
- Lockable and extractable
- Load capacity: 25kg
- 19" lockable rackmount drawer

## ORDER INFORMATION

| DESCRIPTION        | DEPTH | PARTNUMBER   |
|--------------------|-------|--------------|
| Locable drawer, 2U | 340mm | ACDRAWER2U-W |

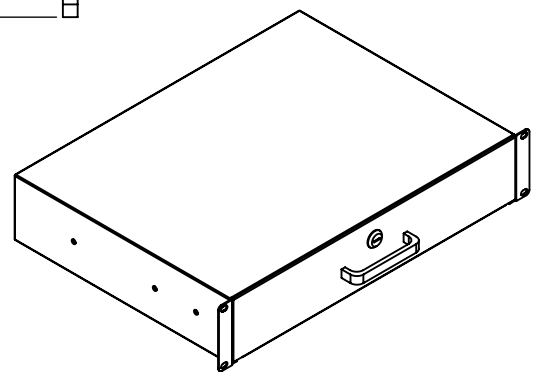
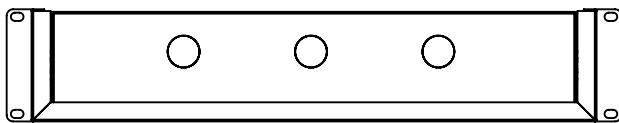
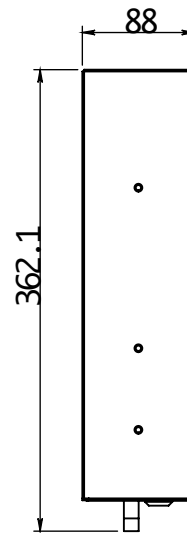
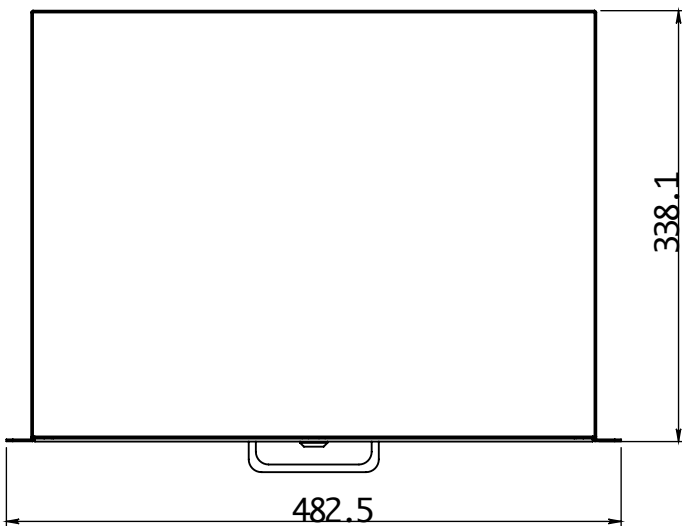
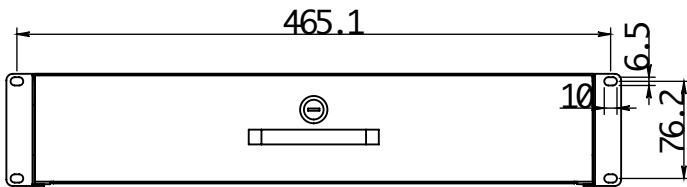
# LOCKABLE DRAWER



ACDRAWER2U-W

Version: 03/20

## TECHNICAL DRAWINGS



**keep stable**