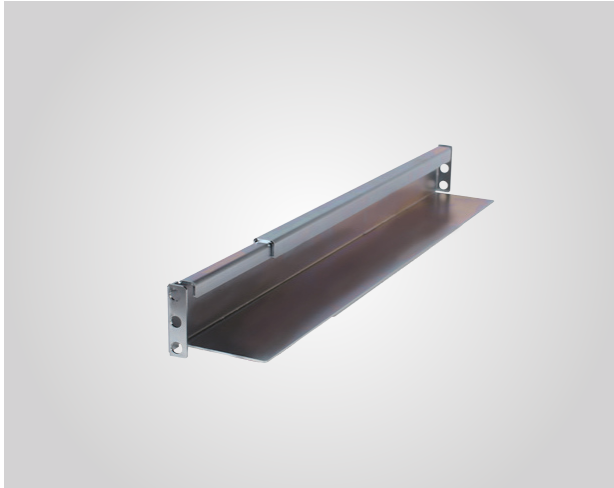


L SLIDING MOUNTING ANGLE



ACMAS68

Version: 03/20



Load capacity up to 100kg

Simple installation

Galvanized steel sheet

Suitable for 600-800mm cabinets

DESCRIPTION

The L mounting angle help you to support the installation of equipments in 19" wall mount, network or server cabinets. To be fixed on the four 483 mm (19") profile rails. Made by galvanized steel supporting grounding. Load capacity is up to 100kg. With the help of adjustable rail, it can be adaptable with cabinet in different depth varies from 600~800mm depth. Compatible with any brand 19" cabinet in market.

FEATURES

- Support the installation of equipments in 19" wall mount, network or server cabinets
- To be fixed on the four 483mm(19") profile rails
- Made by galvanized steel supporting grounding
- Load capacity up to 100kg
- Delivery content as set with two pieces
- Suitable for 600-800mm depth cabinets
- One piece consists of two parts (external and internal profiling system)
- Rail variability 350mm - 600mm

ORDER INFORMATION

DESCRIPTION	PARTNUMBER
L sliding mounting angle, suitable for 600-800mm depth cabinet	ACMAS68

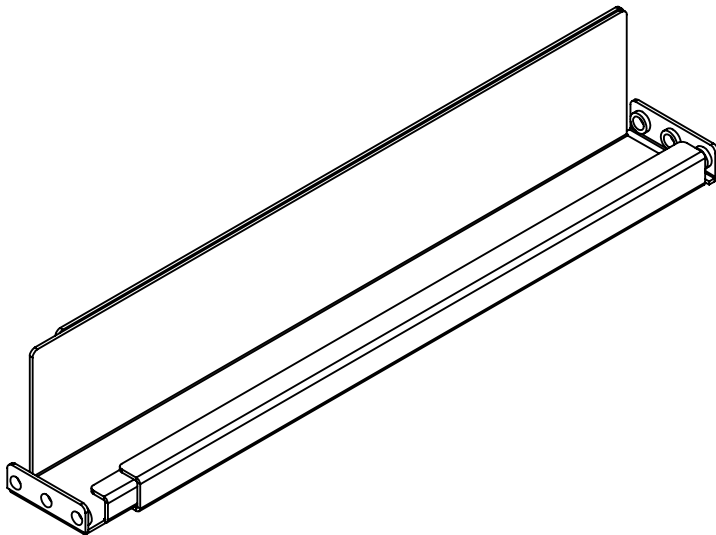
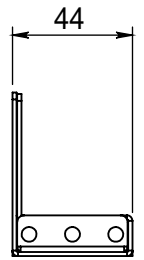
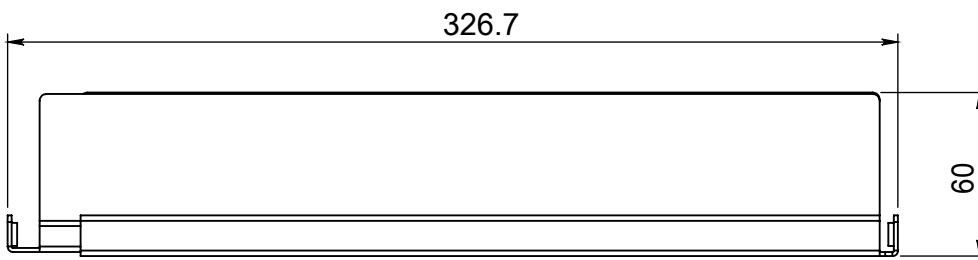
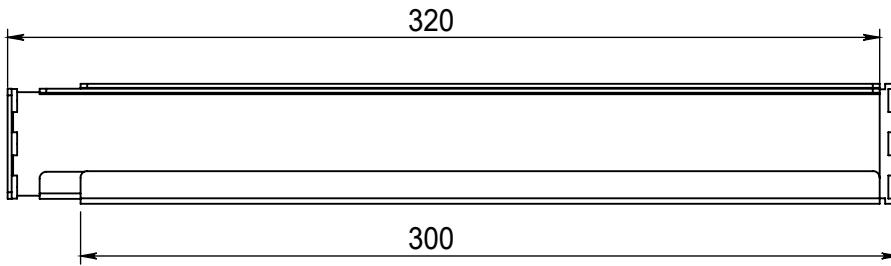
L SLIDING MOUNTING ANGLE

ACMAS68

Version: 03/20



TECHNICAL DRAWINGS



keep stable