

# 19 INCH VERTIKAL CABLE MANAGEMENT **LONGWAY**

LMC106

Version: 03/20



Color: Black/ Ivory

19" inch equipment

## DESCRIPTION

Be compatible with 19-inch equipment rack, cabinets, and wall mount shelf, suitable for interaction and termination of horizontal cabling between devices, equipment and centralized points.

## FEATURES

- Black or Ivory available
- Size: 78.5x482.5x44mm
- Hight: 1U
- Unique exterior design, simple, compact
- Use excellent cold-roll steel sheets, avoid scratching
- Flexible, effective, safe management of all kinds of cables make cabling solution tidy and easy to install.
- Black appearance enables its combination of any other equipment in data center.
- High quality material

## ORDER INFORMATION

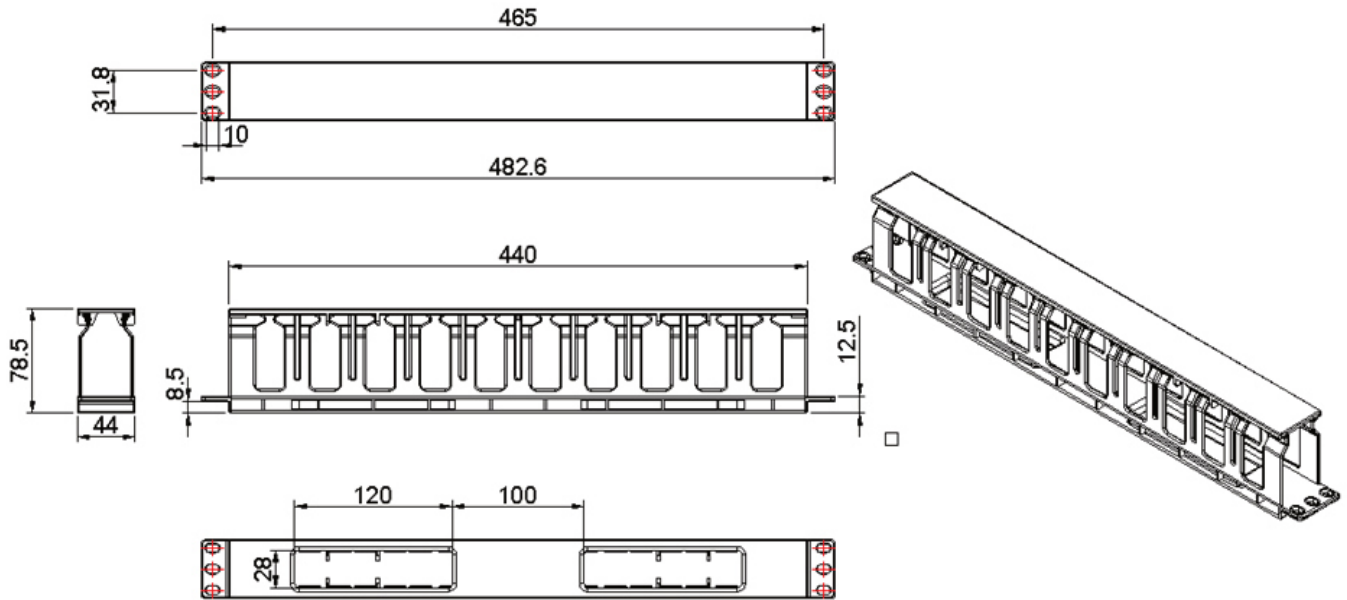
	NUMBER (pcs)	WEIGHT (kg)	DEPTH (cm)	WIDTH (cm)	HEIGHT (cm)	PART. NO
Package (1 Carton)	20	8.6	53.0	61.0	22.0	LMC106

# 19 INCH VERTIKAL CABLE MANAGEMENT **LONGWAY**

LMC106

Version: 03/20

## TECHNICAL DRAWINGS



**keep stable**