

# 19 INCH VERTIKAL CABLE MANAGEMENT **LONGWAY**

LMC107

Version: 03/20



Color: Black

19" inch equipment

## DESCRIPTION

Be compatible with 19-inch equipment rack, cabinets, and wall mount shelf, suitable for interaction and termination of horizontal cabling between devices, equipment and centralized points.

## FEATURES

- Color: Black
- Height unit: 1U
- Size: 32 x 482.5 x 44
- Accomplish a clean cabling system with simple, flexible, effective, convenient and safe feature
- Unique exterior design, simple, compact
- Black appearance enables its combination of any other equipment in data center

## ORDER INFORMATION

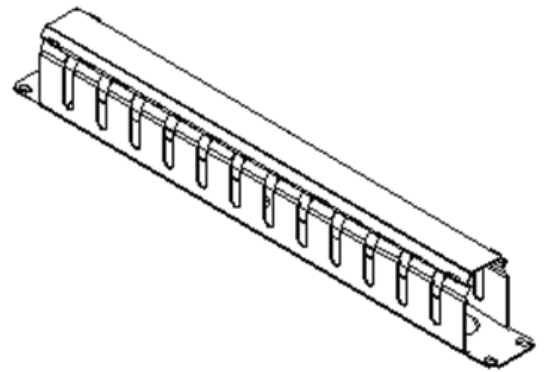
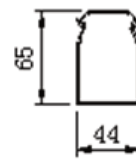
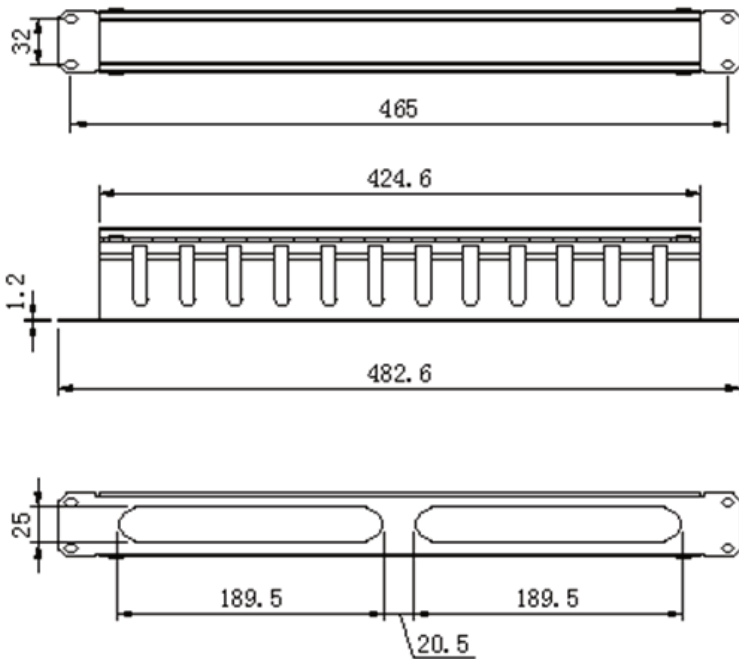
	NUMBER (pcs)	WEIGHT (kg)	DEPTH (cm)	WIDTH (cm)	HEIGHT (cm)	PART. NO
Package (1 Carton)	10	9	53.0	31.3	23.4	LMC107

# 19 INCH VERTIKAL CABLE MANAGEMENT **LONGWAY**

LMC107

Version: 03/20

## TECHNICAL DRAWINGS



**keep stable**